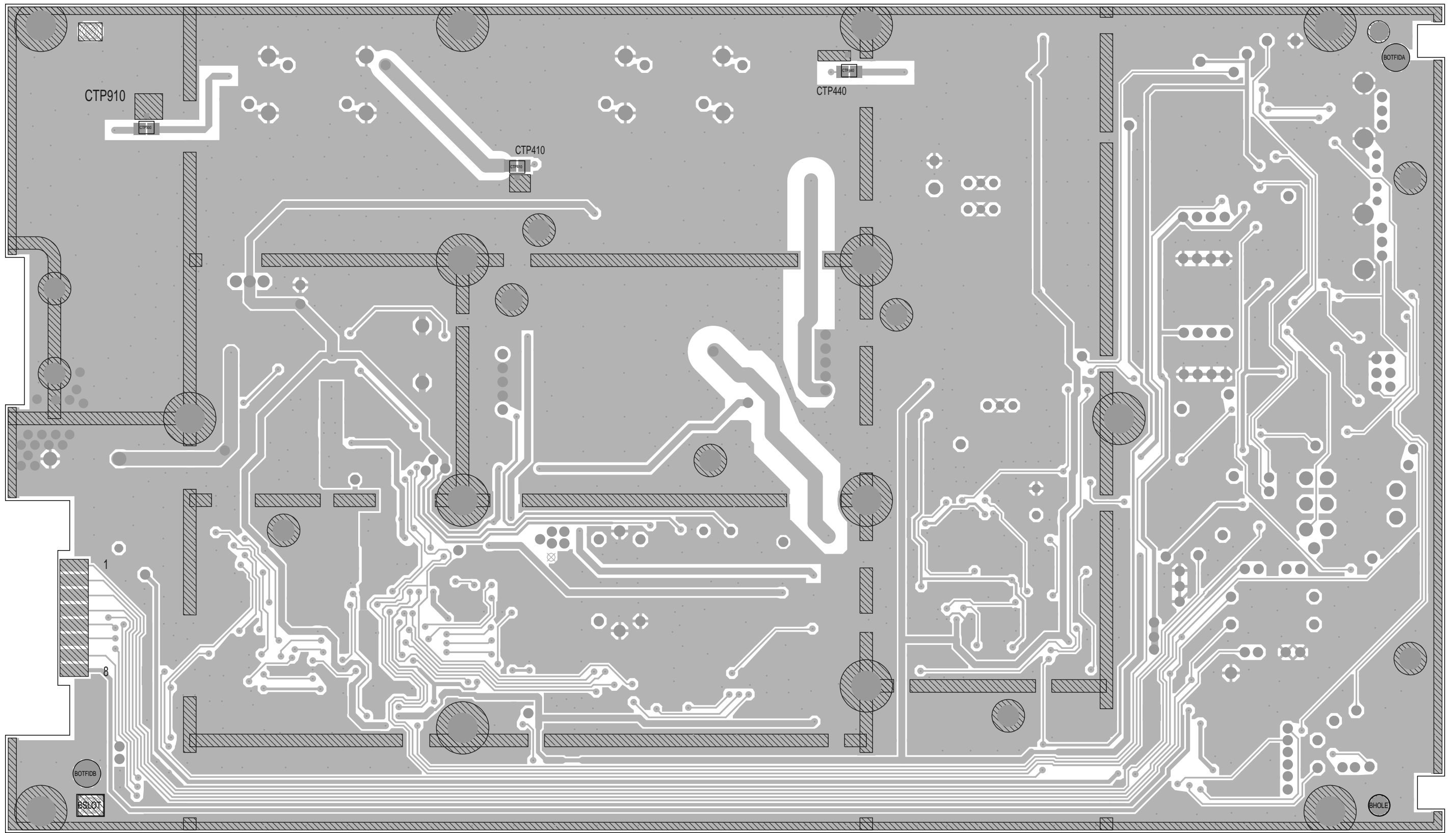
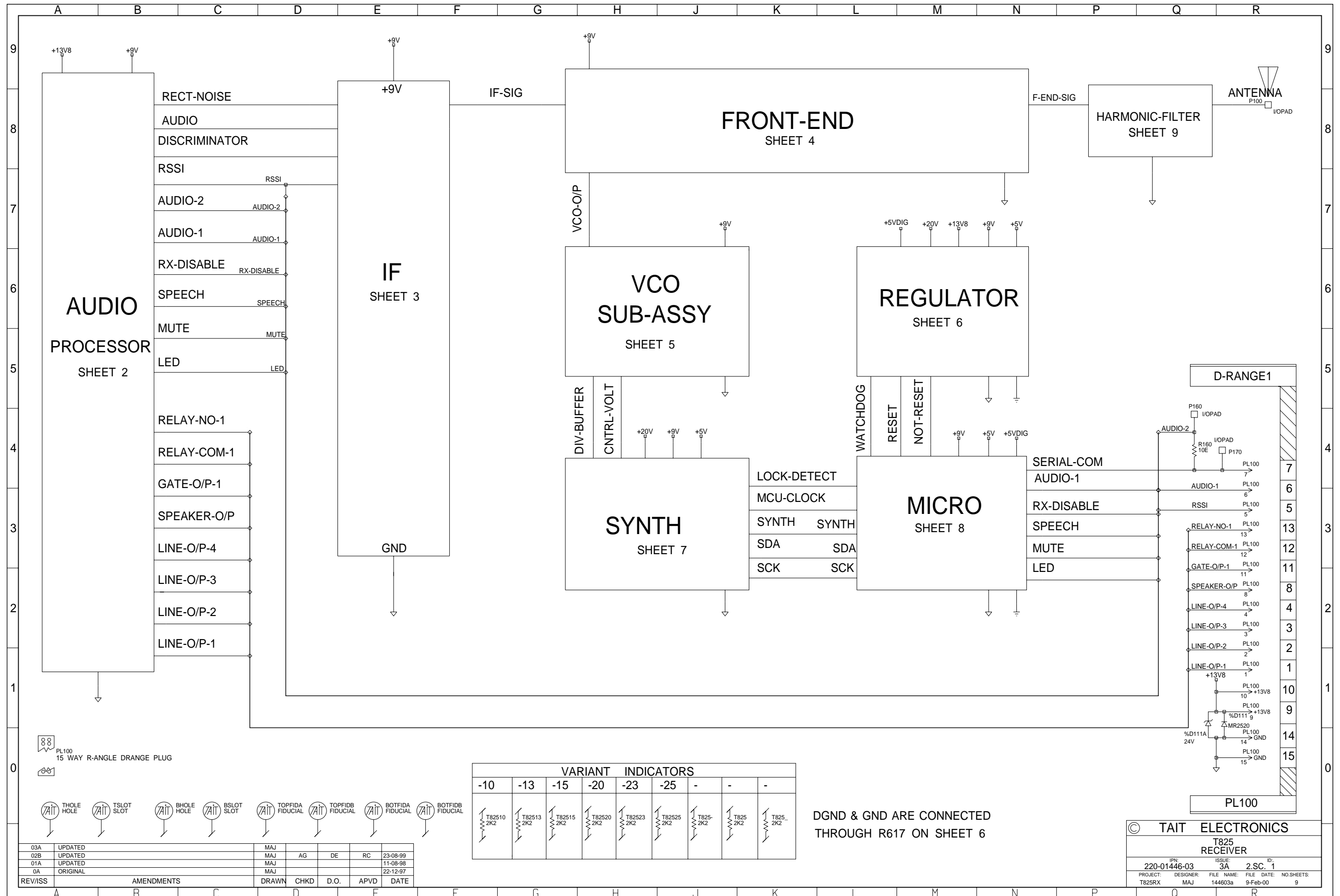
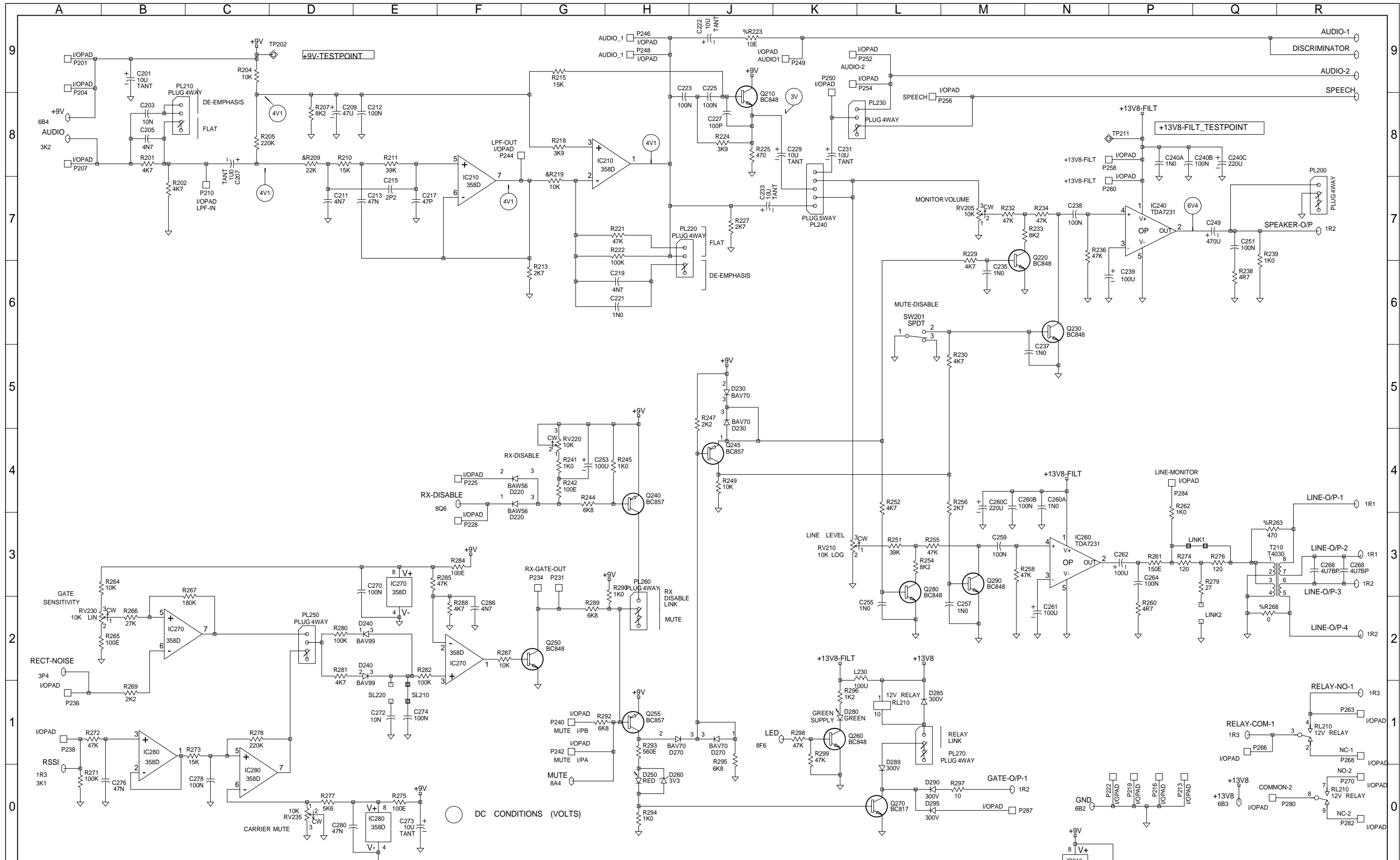


T825 PCB Layout - Top Side
220-01446-03



T825 PCB Layout - Bottom Side
220-01446-03





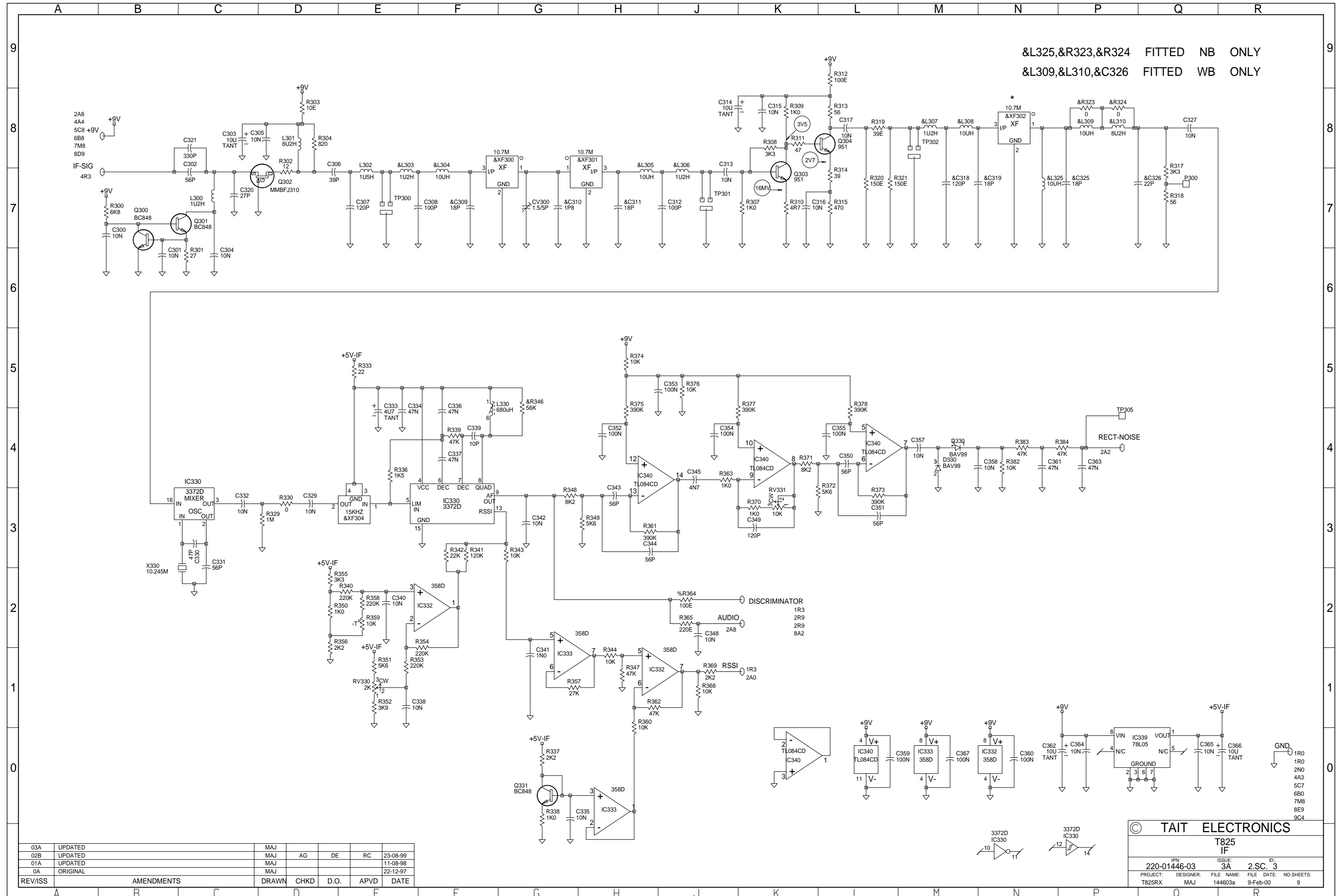
03A	UPDATED	MAJ				23-08-99
02B	UPDATED	MAJ	AG	DE	RC	11-08-98
01A	UPDATED	MAJ				22-12-97
0A	ORIGINAL	MAJ				
REV/ISS	AMENDMENTS	DRAWN	CHKD	D.O.	APVD	DATE

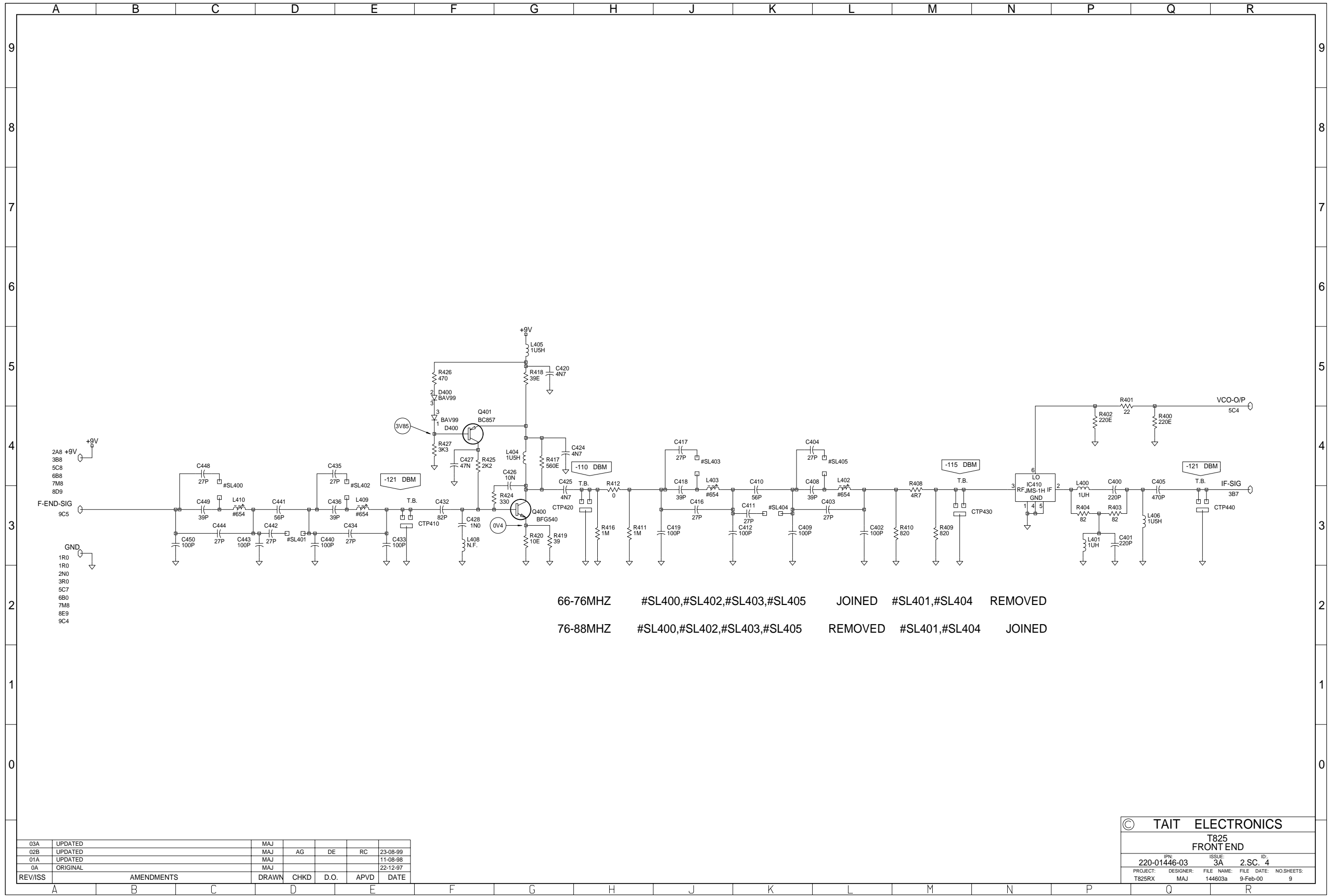
© TAIT ELECTRONICS

T825
AUDIO PROCESSOR

IPN: 220-01446-03
ISSUE: 3A
ID: 2.SC. 2

PROJECT: T825RX
DESIGNER: MAJ
FILE NAME: 144603a
FILE DATE: 9-Feb-00
NO. SHEETS: 9

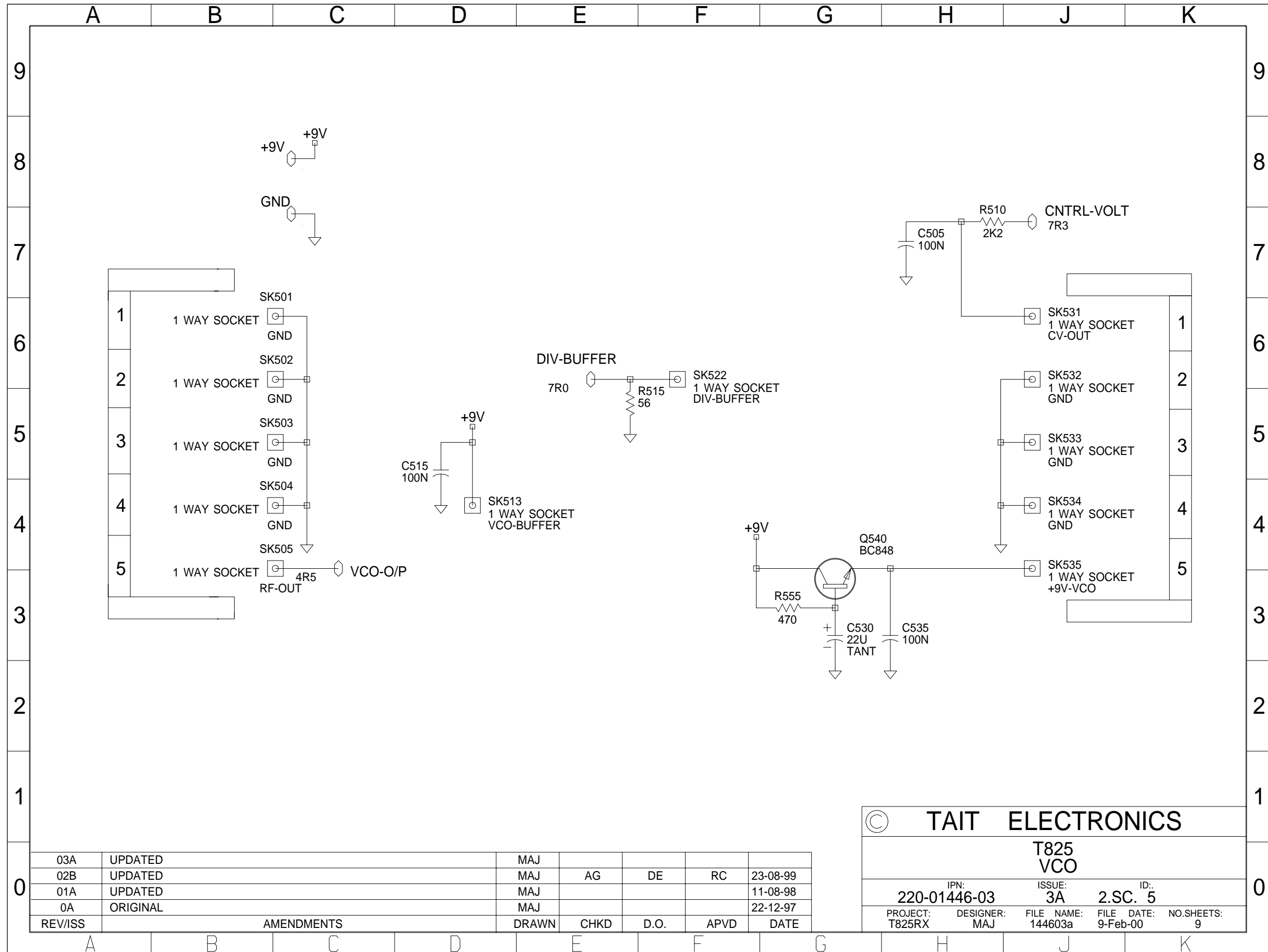




66-76MHZ #SL400,#SL402,#SL403,#SL405 JOINED #SL401,#SL404 REMOVED
 76-88MHZ #SL400,#SL402,#SL403,#SL405 REMOVED #SL401,#SL404 JOINED

03A	UPDATED	MAJ					
02B	UPDATED	MAJ	AG	DE	RC	23-08-99	
01A	UPDATED	MAJ				11-08-98	
0A	ORIGINAL	MAJ				22-12-97	
REV/ISS	AMENDMENTS	DRAWN	CHKD	D.O.	APVD	DATE	

© TAIT ELECTRONICS			
T825 FRONT END			
IPN: 220-01446-03	ISSUE: 3A	DESIGNER: MAJ	ID: 2.SC. 4
PROJECT: T825RX	FILE NAME: 144603a	FILE DATE: 9-Feb-00	NO.SHEETS: 9



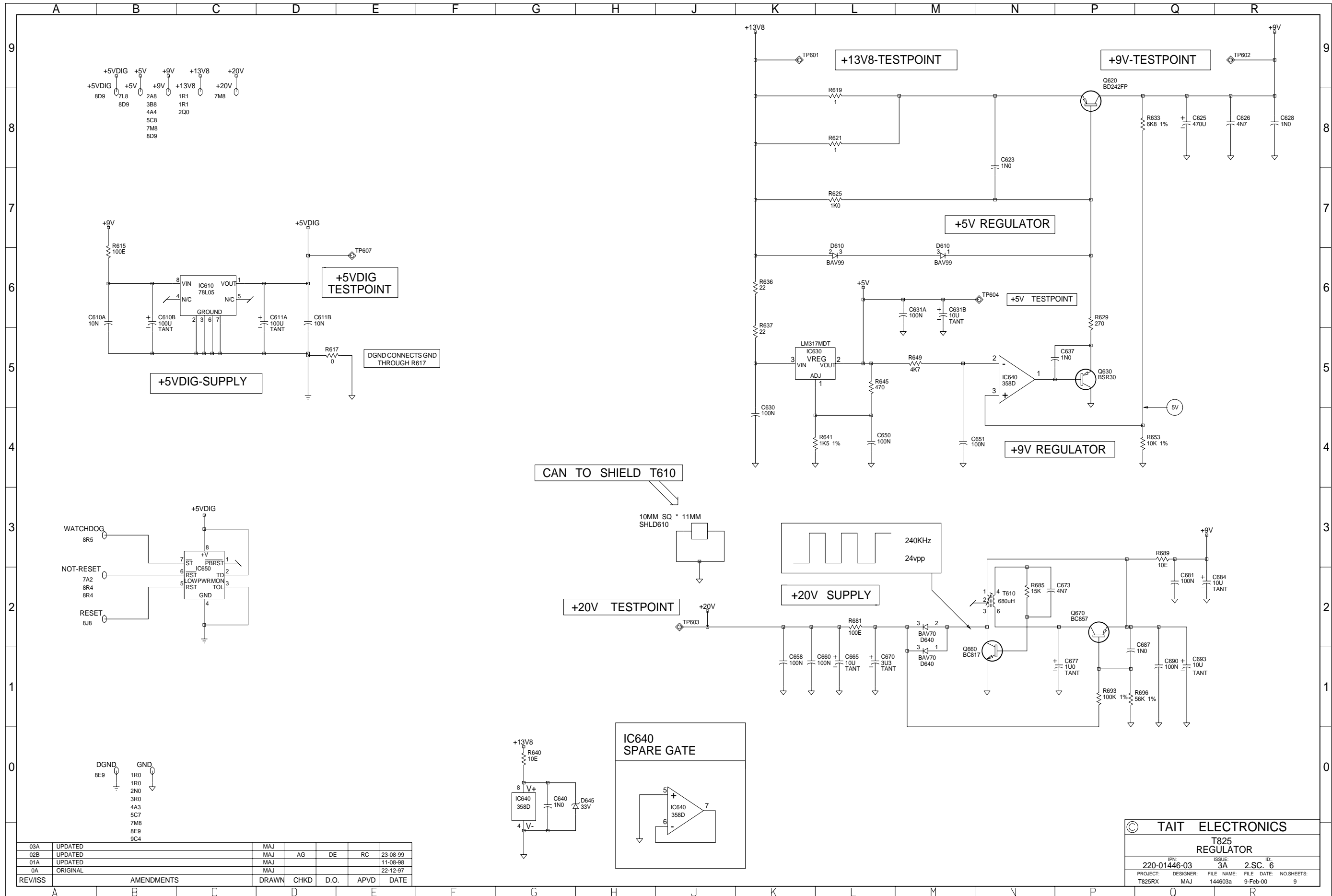
03A	UPDATED	MAJ				
02B	UPDATED	MAJ	AG	DE	RC	23-08-99
01A	UPDATED	MAJ				11-08-98
0A	ORIGINAL	MAJ				22-12-97
REV/ISS	AMENDMENTS	DRAWN	CHKD	D.O.	APVD	DATE

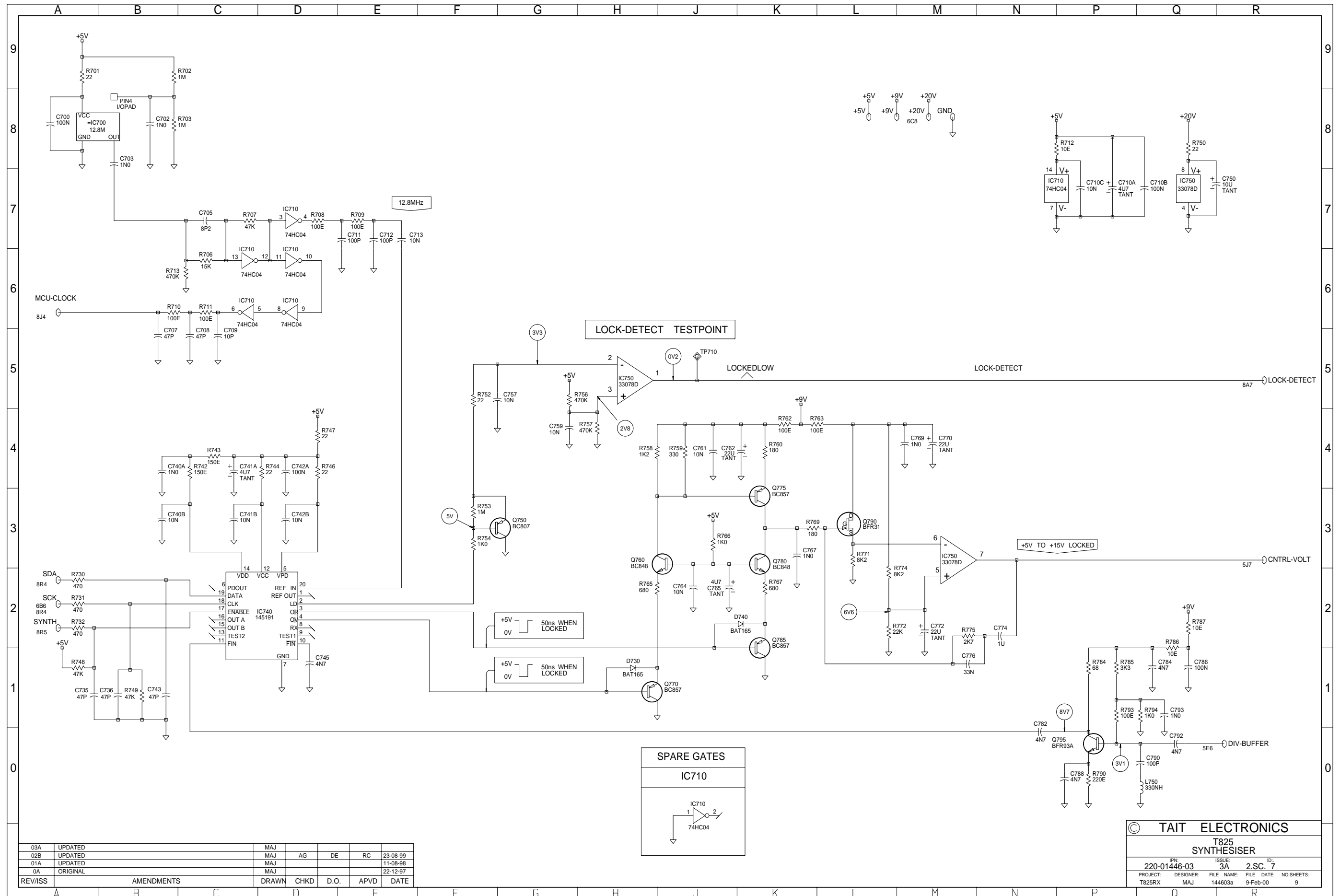
© TAIT ELECTRONICS

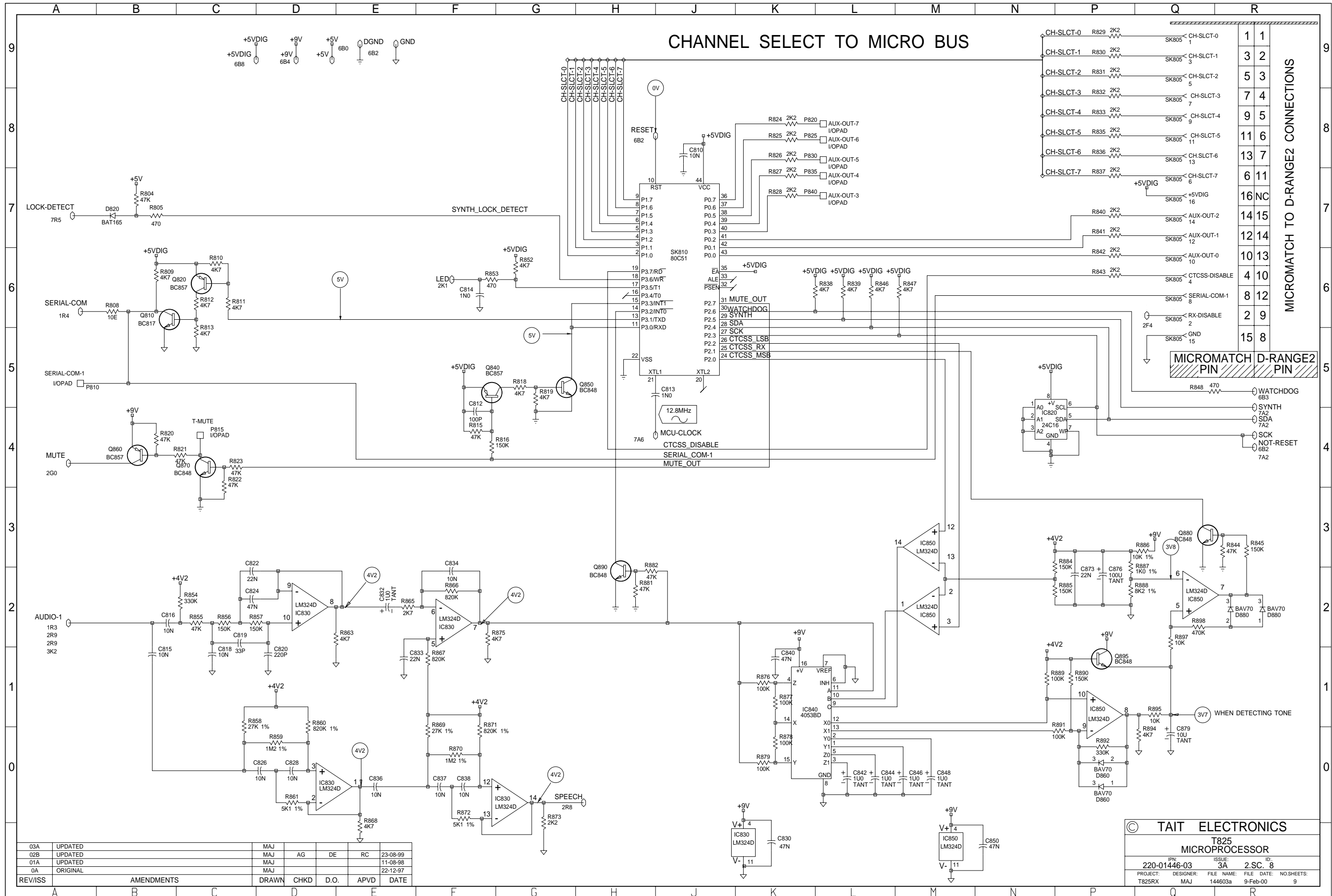
T825 VCO

IPN: 220-01446-03 ISSUE: 3A ID: 2.SC. 5

PROJECT: T825RX DESIGNER: MAJ FILE NAME: 144603a FILE DATE: 9-Feb-00 NO.SHEETS: 9







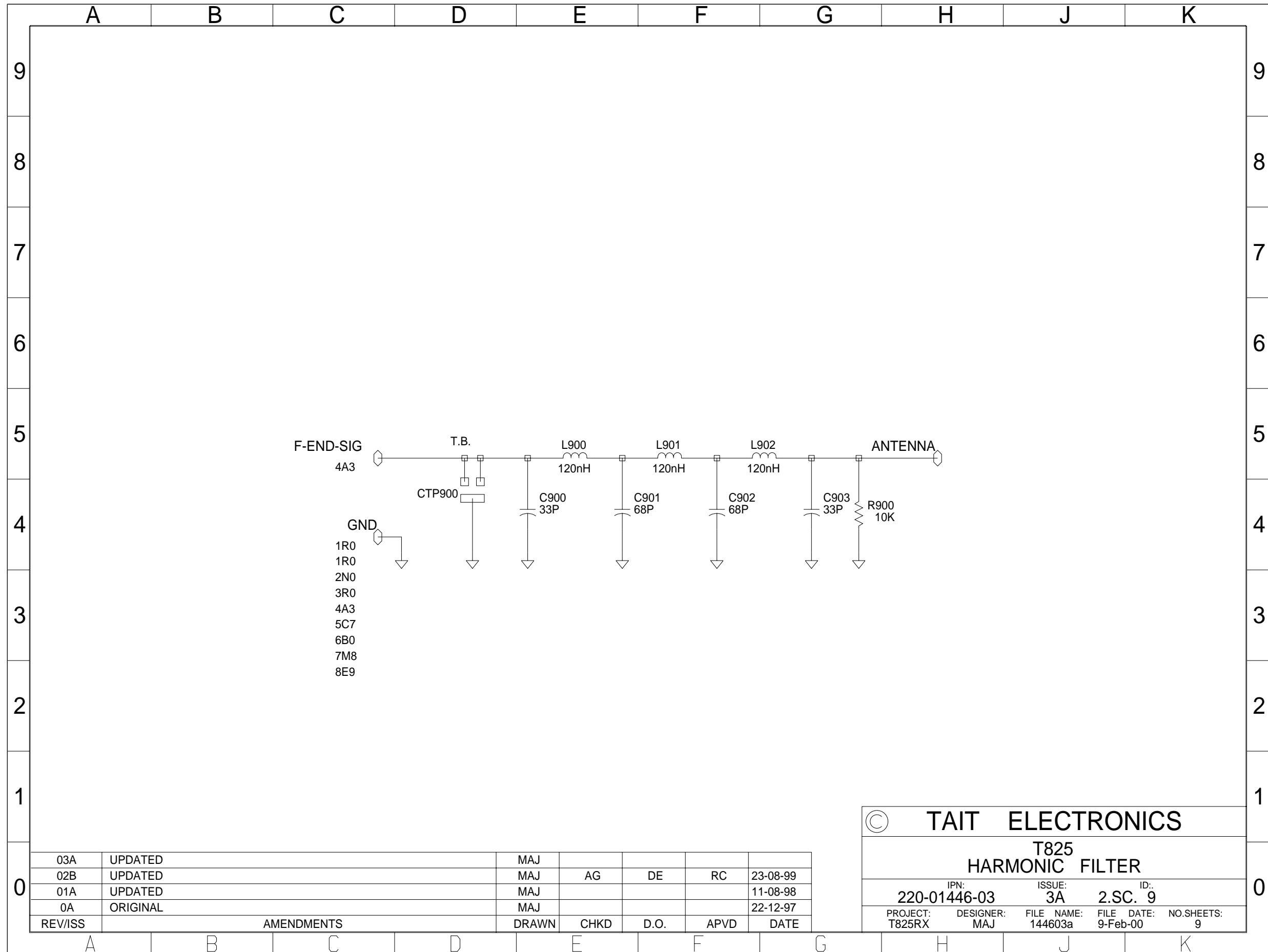
REV/ISS	AMENDMENTS	DRAWN	CHKD	D.O.	APVD	DATE
03A	UPDATED	MAJ				23-08-99
02B	UPDATED	MAJ	AG	DE	RC	11-08-98
01A	UPDATED	MAJ				22-12-97
0A	ORIGINAL	MAJ				

© TAIT ELECTRONICS

T825
MICROPROCESSOR

IPN: 220-01446-03
ISSUE: 3A
ID: 2.SC. 8

PROJECT: T825RX
DESIGNER: MAJ
FILE NAME: 144603a
FILE DATE: 9-Feb-00
NO. SHEETS: 9



03A	UPDATED	MAJ				
02B	UPDATED	MAJ	AG	DE	RC	23-08-99
01A	UPDATED	MAJ				11-08-98
0A	ORIGINAL	MAJ				22-12-97
REV/ISS	AMENDMENTS	DRAWN	CHKD	D.O.	APVD	DATE

© TAIT ELECTRONICS

T825
 HARMONIC FILTER

IPN: 220-01446-03 ISSUE: 3A ID: 2.SC. 9

PROJECT: T825RX DESIGNER: MAJ FILE NAME: 144603a FILE DATE: 9-Feb-00 NO.SHEETS: 9

